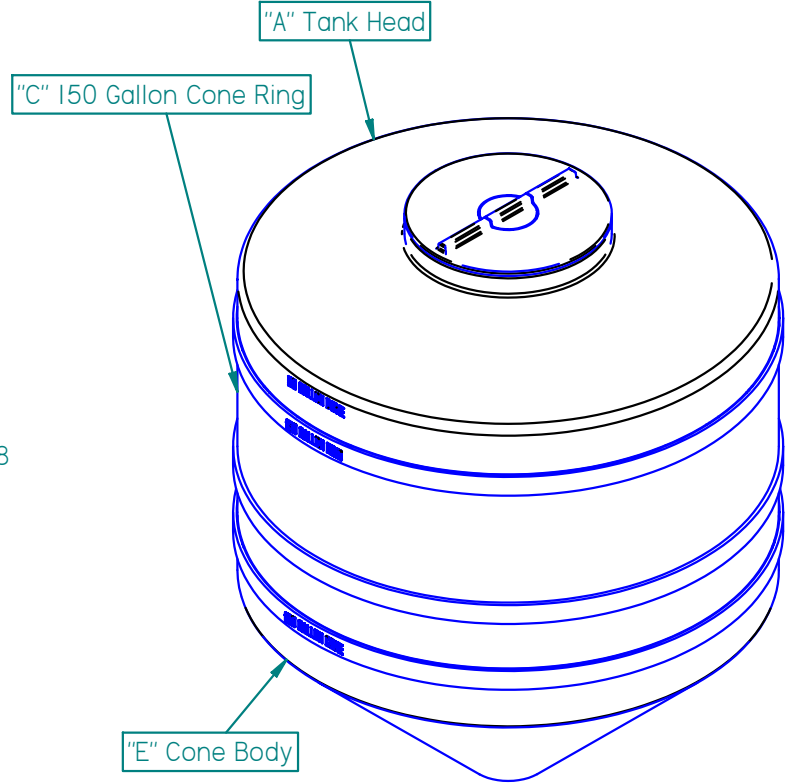


Front View

Tank Mold Assembly Requires "A" Tank Head, "C" 150 Gallon Ring, and "E" Tank Cone Sections.

REVISION HISTORY			
REV	DESCRIPTION	DATE	APPROVED
	APPROVED FOR PRODUCTION	10/1/2003	



ISO View

	NAME	DATE
DRAWN	Michael	2/9/2004
CHECKED		
ENG APPR		
MGR APPR		

UNLESS OTHERWISE SPECIFIED
DIMENSIONS ARE IN INCHES
ANGLES ±0.5°
2 PL ±0.125" 3 PL ±0.060"

DURA-CAST
PRODUCTS, INC. 800-683-4116
16160 Hwy 27 Lake Wales, FL 33859

TITLE 300 Gallon Cone Bottom Tank

SIZE A MATERIAL: LMDPE (I100) REV

FILE NAME: 300GalConeAssy.dft

PART#: 930300HD WEIGHT: 96.691 lbm SHEET 1 OF 1