

tanks are designed to be used in a horizontal position. rectangular tanks used in vertical position may require additional wall thickness or external support

tanks are not rated for gasoline or aromatic solvents

tank resins are fully uv stabilized

most size tanks are available in standard wall thickness shown or heavy duty

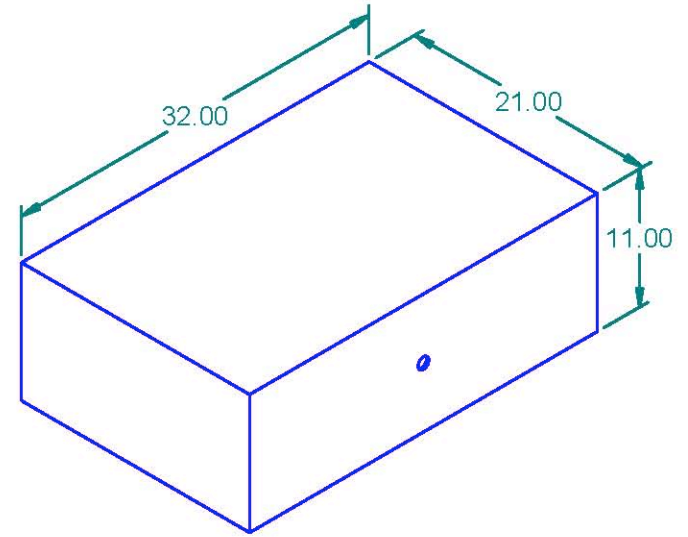
allow +/- 1% on tank dimensions for overall size variances

vent hole on tank will be welded shut if not used for fitting location

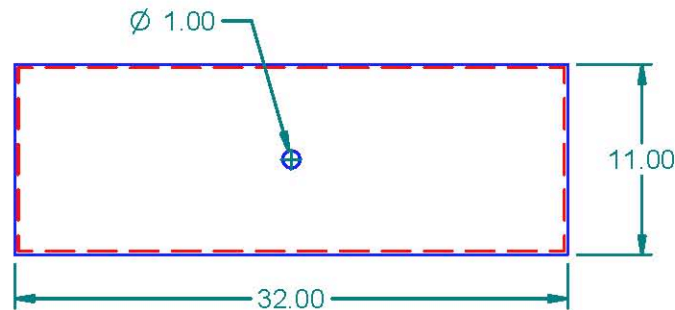
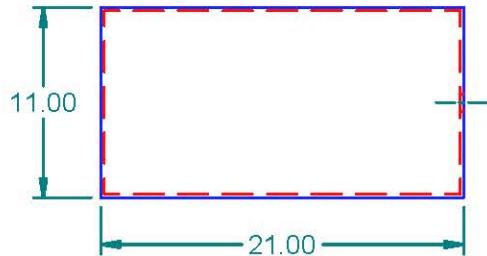
tank plastic resin is fda compliant based on manufacturer's specifications

tanks meet abyc and uscg requirements for marine water and holding tank applications

REVISION HISTORY			
REV	DESCRIPTION	DATE	APPROVED



ISO View 130030



wall thickness: .200"

Tank Capacity: 30 Gallons

	NAME	DATE
DRAWN	mputt	5/8/2006
CHECKED		
ENG APPR		
MGR APPR		



16160 Hwy 27 Lake Wales, FL 33859

TITLE		30 Gallon Plastic Tank
SIZE	A	MATERIAL: LMDPE Natural
		REV

FILE NAME: 130030.dft

UNLESS OTHERWISE SPECIFIED
DIMENSIONS ARE IN INCHES
ANGLES ±0.5°
2 PL ±0.125" 3 PL ±0.060"

PART#: 130030	WEIGHT: 16.717 lbm	SHEET 1 OF 1
---------------	--------------------	--------------