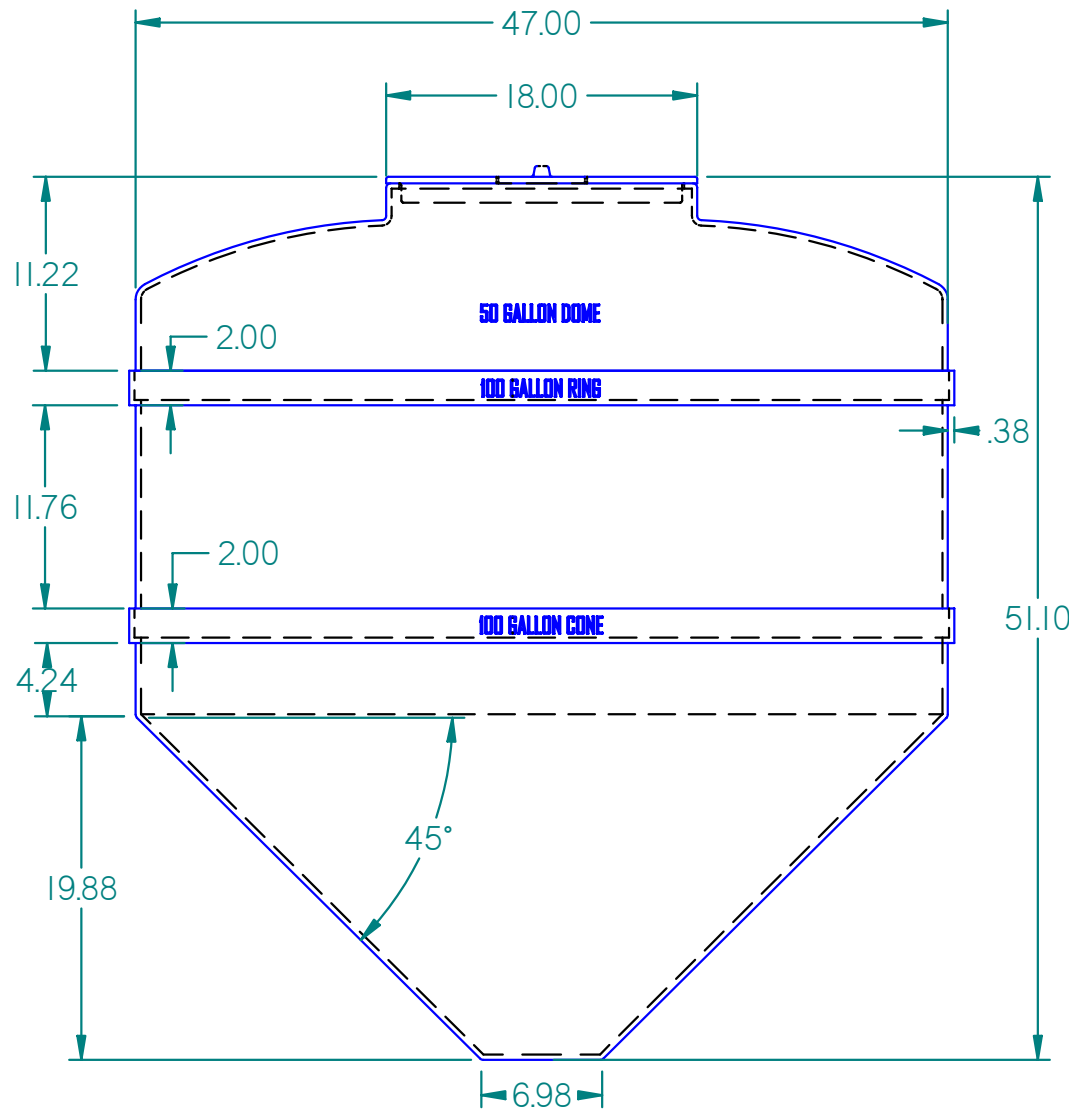
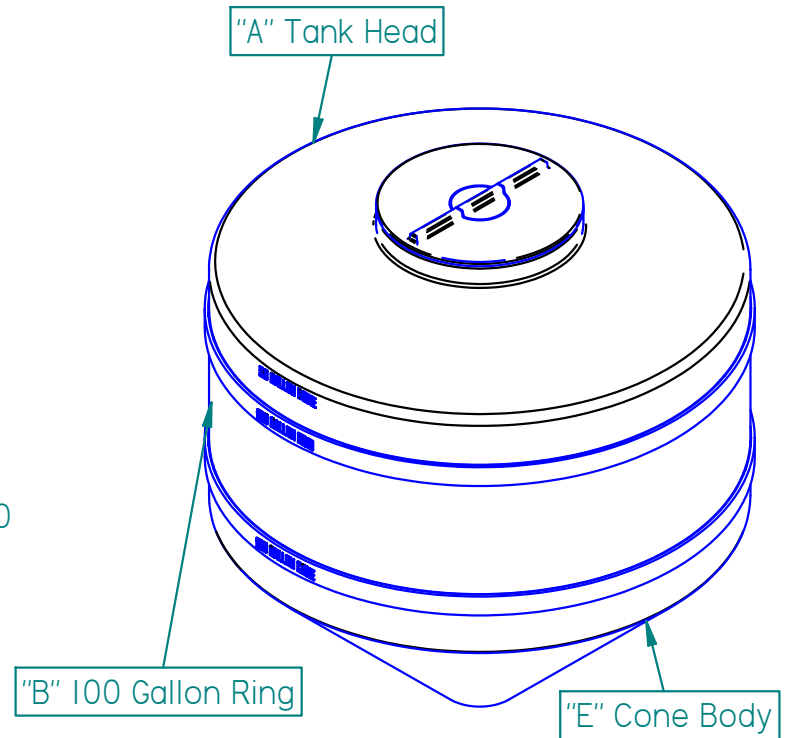


REVISION HISTORY

REV	DESCRIPTION	DATE	APPROVED
	APPROVED FOR PRODUCTION	10/1/2003	



Front View



ISO View

Tank Mold Assembly Requires "A" Tank Head, "B" 100 Gallon Ring, and "E" Tank Cone Sections.

	NAME	DATE
DRAWN	Michael	8/29/2003
CHECKED		
ENG APPR		
MGR APPR		

UNLESS OTHERWISE SPECIFIED  
DIMENSIONS ARE IN INCHES  
ANGLES ±0.5°  
2 PL. ±0.125" 3 PL. ±0.060"

**DURA-CAST**  
PRODUCTS, INC. 800-683-4116

16160 Hwy 27 Lake Wales, FL 33859

TITLE		250 Gallon Cone Tank	
SIZE	MATERIAL: LMDPE Natural	REV	
A			
FILE NAME: 250ConeAssy.dft			
PART#: 930250HD	WEIGHT: 74.438 lbm	SHEET 1 OF 1	