

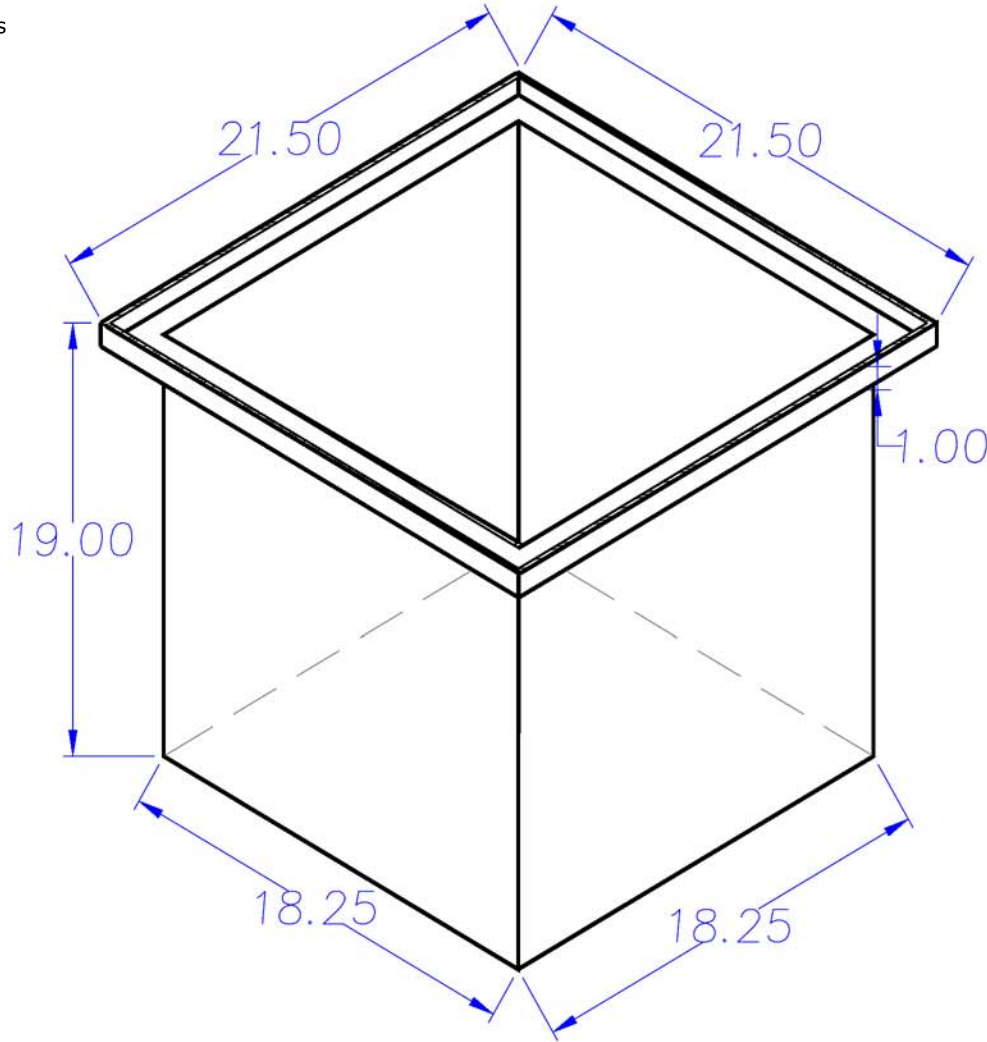
Plastic resin is fully FDA compliant based upon manufacturer's specifications

Resins are fully UV stabilized

Allow +/- 1% on dimensions for overall size variances

REVISION HISTORY

REV	DESCRIPTION	DATE	APPROVED



Wall Thickness: 0.150

Capacity: 24 Gallons		
	NAME	DATE
DRAWN	MPUTT	9/01/2004
CHECKED		
ENG APPR		
MGR APPR		

**Dura-Cast Products** INC.  
*Rotomolding Plastic for the Future*  
 16160 Hwy 27 Lake Wales, FL 33859  
 800.683.4116 863.638.3200 F 863.638.2443  
 www.duracast.com

TITLE Bin

SIZE A	MATERIAL: LMDPE Natural	REV
--------	-------------------------	-----

Part #: 550024

WEIGHT: 23#	SHEET 1 OF 1
-------------	--------------

UNLESS OTHERWISE SPECIFIED  
 DIMENSIONS ARE IN INCHES  
 ANGLES ±0.5°  
 2 PL ±0.125° 3 PL ±0.060°