

TANKS ARE DESIGNED TO BE USED IN A HORIZONTAL POSITION. RECTANGULAR TANKS USED IN VERTICAL POSITION MAY REQUIRE ADDITIONAL WALL THICKNESS OR EXTERNAL SUPPORT

TANKS ARE NOT RATED FOR GASOLINE OR AROMATIC SOLVENTS

TANK RESINS ARE FULLY UV STABILIZED

MOST SIZE TANKS ARE AVAILABLE IN STANDARD WALL THICKNESS SHOWN OR HEAVY DUTY

ALLOW +/- 1% ON TANK DIMENSIONS FOR OVERALL SIZE VARIANCES

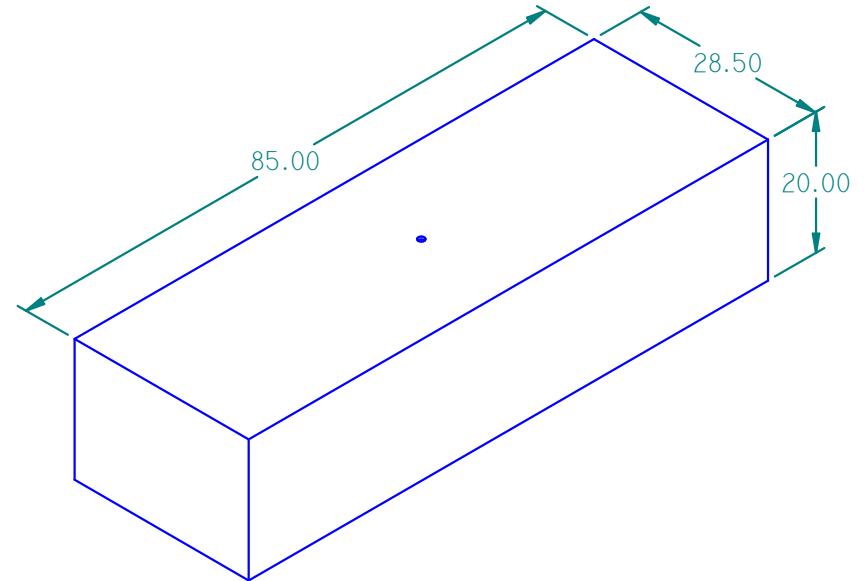
VENT HOLE ON TANK WILL BE WELDED SHUT IF NOT USED FOR FITTING LOCATION

TANK PLASTIC RESIN IS FDA COMPLIANT BASED ON MANUFACTURER'S SPECIFICATIONS

TANKS MEET ABYC AND USCG REQUIREMENTS FOR MARINE WATER AND HOLDING TANK APPLICATIONS

### REVISION HISTORY

REV	DESCRIPTION	DATE	APPROVED
01	UPDATED TO A SINGLE VENT HOLE	09/12/11	



ISO VIEW 103200

TANK CAPACITY: 200 GALLONS

	NAME	DATE
DRAWN	MPUTT	5/8/2006
CHECKED		
ENG APPR		
MGR APPR		



16160 Hwy 27 Lake Wales, FL 33859

TITLE		200 GALLON PLASTIC TANK
SIZE A	MATERIAL: POLYETHYLENE, LOW DENSITY	REV 01

FILE NAME: 103200.DFT

WALL THICKNESS: .288"

UNLESS OTHERWISE SPECIFIED  
DIMENSIONS ARE IN INCHES  
ANGLES ±0.5°  
2 PL ±0.125" 3 PL ±0.060"

PART#: 103200	WEIGHT: 108.813 LBM	SHEET 1 OF 1
---------------	---------------------	--------------