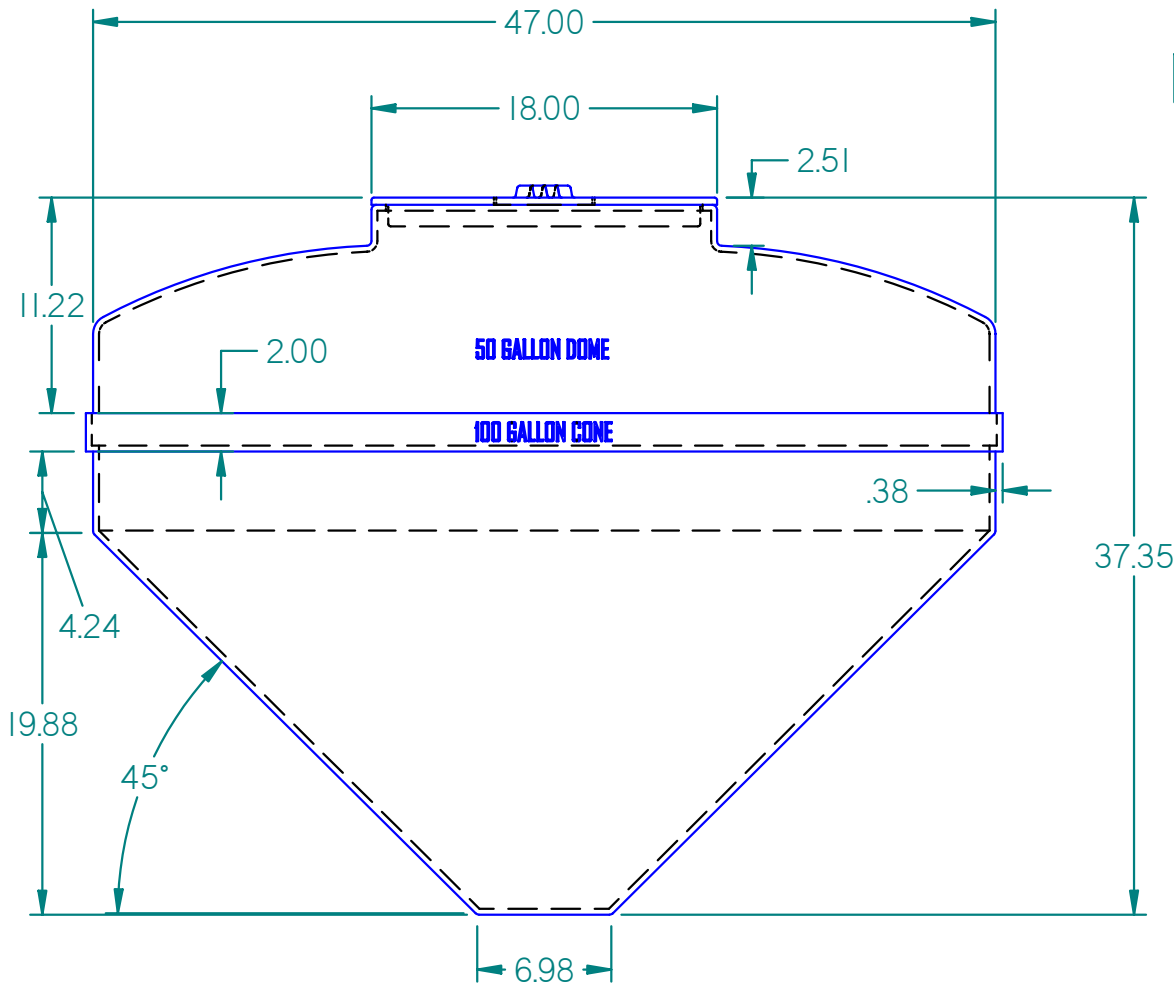
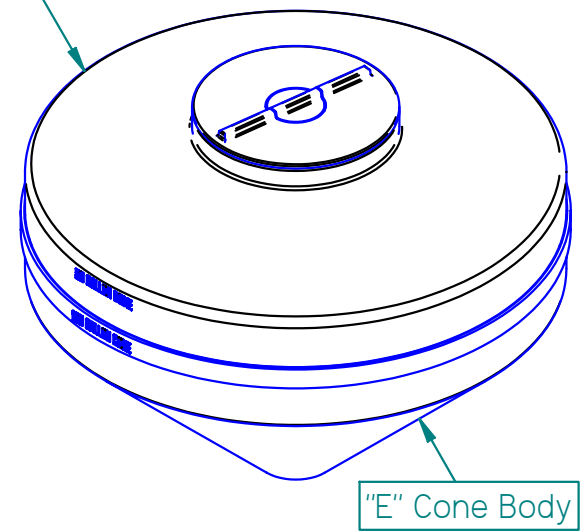


REVISION HISTORY

REV	DESCRIPTION	DATE	APPROVED
	APPROVED FOR PRODUCTION	10/1/2003	



"A" Tank Head



"E" Cone Body

ISO View

Tank Mold Assembly Requires "A" Tank Head and "E" Tank Cone Sections.

	NAME	DATE
DRAWN	Michael	8/29/2003
CHECKED		
ENG APPR		
MGR APPR		

UNLESS OTHERWISE SPECIFIED
DIMENSIONS ARE IN INCHES
ANGLES ±0.5°
2 PL ±0.125" 3 PL ±0.060"

DURA-CAST
PRODUCTS, INC. 800-683-4116

16160 Hwy 27 Lake Wales, FL 33859

TITLE		150 Gallon Cone Tank	
SIZE	MATERIAL:	REV	
A	LMDPE Natural		
FILE NAME:		150ConeTankAssy.dft	
PART#	WEIGHT:	SHEET	
#930150HD	57.973 lbm	1 OF 1	