

REVISION HISTORY

REV	DESCRIPTION	DATE	APPROVED

tanks are designed to be used in a horizontal position. rectangular tanks used in vertical position may require additional wall thickness or external support

tanks are not rated for gasoline or aromatic solvents

tank resins are fully uv stabilized

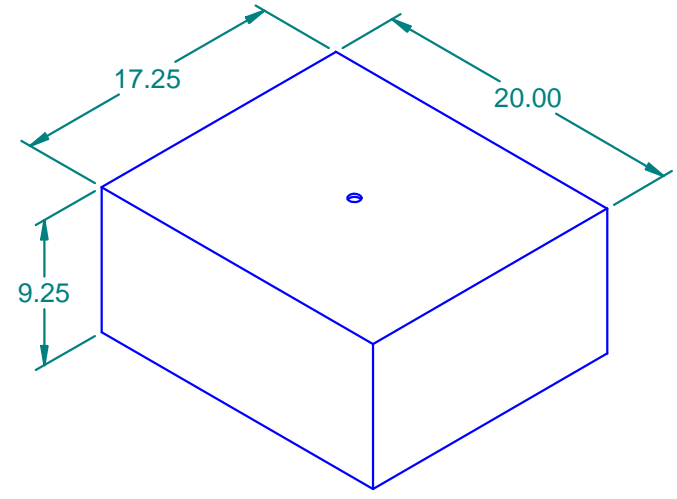
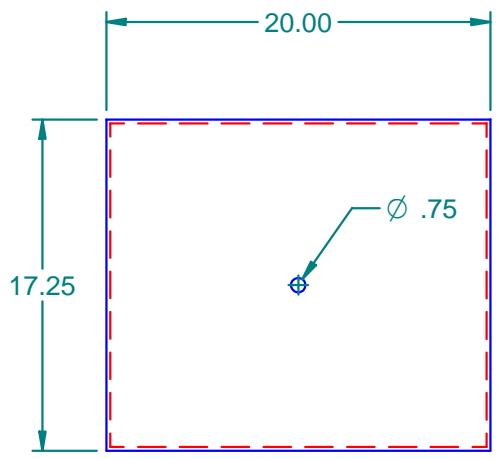
most size tanks are available in standard wall thickness shown or heavy duty

allow +/- 1% on tank dimensions for overall size variances

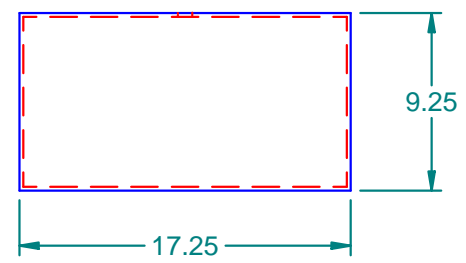
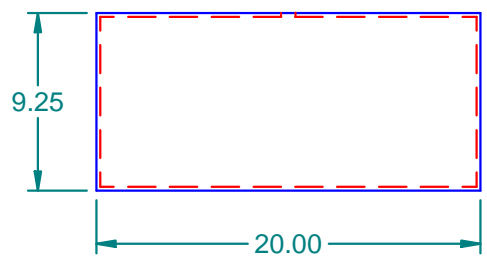
vent hole on tank will be welded shut if not used for fitting location

tank plastic resin is fda compliant based on manufacturer's specifications


tanks meet abyc and uscg requirements for marine water and holding tank applications



ISO View 142013



wall thickness: 0.200 in

DRAWN		M. NEGRON	4/13/2010	 16160 Hwy 27 Lake Wales, FL 33859 TITLE <b>13 Gallon Tank (old #239)</b>			
CHECKED						SIZE A	MATERIAL: Polyethylene, low density
ENG APPR						REV	
MGR APPR						FILE NAME: 142013.dft	
UNLESS OTHERWISE SPECIFIED DIMENSIONS ARE IN INCHES ANGLES $\pm 0.5^\circ$ 2 PL $\pm 0.125"$ 3 PL $\pm 0.060"$				PART#: 142013	WEIGHT: 8.590 lbm	SHEET 1 OF 1	